

# ONKYO® SERVICE MANUAL

## QUARTZ LOCKED DIRECT DRIVE

## FULLY AUTOMATIC TURNTABLE

### Model CP-1260F



#### TABLE OF CONTENTS

Item	Page
Specifications	2
Features	2
Circuit description	3
Service procedures and alignment	5
Packing procedures	8
Exploded view	9
Printed circuit board view from bottom side	11
Printed circuit board-parts list	12
Schematic diagram	13
Parts list	15



## SPECIFICATIONS

<b>Type:</b>	Direct drive fully automatic turntable with auto lead-in and return; reject and repeat function also included; two motor design with cueing lever.	<b>Maximum Tracking Error:</b> +2.5 degrees, -0.8 degrees
<b>Turntable Platter:</b>	33 cm (13") aluminum die-cast, 1.8 kg (4 lbs.) (with mat)	<b>Suitable Cartridge Weight:</b> 4 – 11 grams
<b>Motor:</b>	Quartz lock synthesized DD motor	<b>Tracking Force:</b> 0 – 3.0 grams
<b>Speeds:</b>	33-1/3, 45 rpm, adjustable $\pm 6\%$	<b>Other Features</b>
<b>Wow &amp; Flutter:</b>	less than 0.025% (WRMS)	Tracking force direct readout scale
<b>Signal-to-Noise Ratio:</b>	better than 75 dB (DIN B)	Removable headshell
<b>Tonearm:</b>	Statically balanced straight type, carbon fiber/pipe construction.	Slide-type anti-skating control
<b>Effective Arm Length:</b>	237 mm (9 3/8")	<b>Power supply:</b>
<b>Overhang:</b>	16 mm (5/8")	AC 120V/220V 50/60Hz
<b>Offset Angle:</b>	21 degrees	(or 120V 60Hz, or 240V 50Hz)
		<b>Power consumption:</b> 7 watts
		<b>Dimensions (WxDxH):</b> 480 x 408 x 162 mm
		(18 7/8" x 16 1/16" x 6 3/8")
		<b>Weight:</b> 9.5 kg (20.9 lbs.)
		<b>Accessories:</b> Headshell, counterweight, overhang gauge, 45 rpm adapter, instruction manual.

Specifications are subject to change for further product improvements.

## FEATURES

### Improved moment-to-moment response thanks to low tonearm mass

Ideally, the tracking force of a statically balanced tonearm, being determined by the respective weights in front and behind the pivot point, has nothing to do with the effective mass of the tonearm itself. A counterweight of sufficient weight is simply adjusted to provide the appropriate amount of tracking force. This tracking force remains constant only when we are dealing with a perfectly flat and perfectly round disc. However, all records have some amount of warp and eccentricity which upset this ideal condition. During one revolution, the tonearm moves sideways (caused by eccentricity) and vertically (caused by warp) to trace the record grooves. Because the greater the effective mass of the tonearm, the greater its inertia is (see diagram), the result is poor tracking performance and consequent poor moment-to-moment response.

### To minimize effective mass, this tonearm employs:

(1) straight-line design, the shortest distance between pivot and stylus tip (2) carbon fiber, with a specific gravity less than half that of aluminum (3) a slimmer pipe thanks to the higher rigidity of the straight-line/carbon fiber construction (4) smallest possible shell within performance requirements with miniature ADD-type connector. All this means the effective mass is approximately 15 grams (with a 6 gram cartridge), roughly half that of Onkyo's standard S-type tonearms. At a 2 gram tracking force setting, the resulting difference in sensitivity can be seen in the following example as the stylus moves over a typical record:

30 gram effective mass at stylus tip	2.5 – 1.8 g
15 gram effective mass at stylus tip	2.2 – 1.9 g

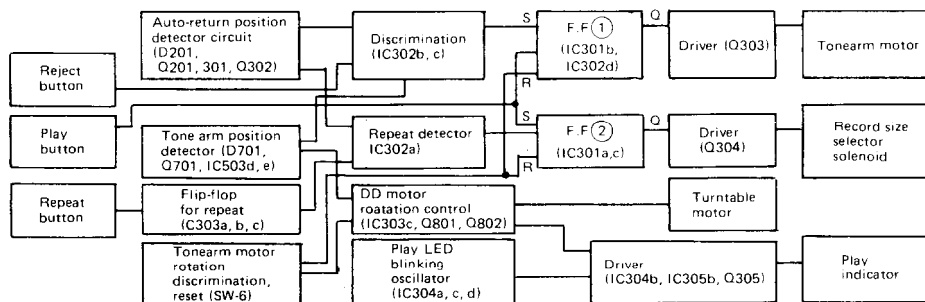
As the effective mass decreases, the variations in tracking force dramatically decrease as well and the trackability of the tonearm increases by the same margin.

### High torque quartz locked direct drive motor guarantees superior rotational stability and accuracy.

The 20-pole 30-slot high torque motor with its quartz locking system assures that excellent rotational stability is maintained even during abrupt changes in the load. The quartz lock system is a frequency generator (FG) connected to the shaft to detect and correct any variations in the turntable speed. A reference frequency is taken from a 5.52960 MHz quartz oscillator, divided down and compared with the signal from the FG. Any variations in speed, no matter how small, are immediately detected and corrected by this servo circuit.

The reference quartz oscillator uses the same type of quartz control as that found in chronometers. It virtually eliminates drift caused by time and temperature and overcomes variations in load while locking the turntable speed to exactly the correct value. To improve the reliability and precision of this complex circuitry, IC's have been used throughout, the frequency generator is completely integrated to totally cancel any speed fluctuations of the platter, and an extremely stable quartz PLL circuit is employed.

## CIRCUIT DESCRIPTION



### 1. Operation when power switch (SW1) is turned on

- 1) When the power switch (SW1) is turned on, both flip-flops are reset by C304, 305, 307, 308, 316, and 317, and are maintained in the following stabilized states:

IC301 #6 (L)

IC301 #8 (L)

Q303 and Q304 will thus be turned off, thereby preventing the tonearm drive motor and record size selector solenoid from being switched on. Furthermore, with

IC303 #6 (L)

the REPEAT LED will also be kept off.

- 2) However, because of IC303 #8 (L) status, Q801 and Q802 will also be kept off.
- 3) Hence, no voltage will be applied to the emitter of Q09, and the turntable motor will remain stationary.

### 2. Auto Start Operation

When PLAY button (SW5) is pressed

- 1) IC301 #3 and #9 are switched from (H) to (L), resulting in FF(1) and FF(2) being inverted, and Q303 and Q304 being turned on. The tonearm drive motor and size selector solenoid will thus be activated.
- 2) This results in the GEAR switch (SW4) being turned on, and IC303 #9 being switched from (H) to (L). Q305 is then turned on via IC304b and IC305b, thereby lighting up the PLAY LED (red).
- 3) On the other hand, a signal from the PLAY LED blinking oscillator circuit is applied to IC304 #6, resulting in #4 being switched to (H) while #6 is (L), irrespective of the (L)/(H) status of #5. Q305 is thus turned off, and the LED extinguished.
- 4) The LED consequently blinks on and off in accordance to the oscillator circuit cycle time.
- 5) In addition, at the same time that the GEAR switch (SW4) is turned on, IC303 #9 is switched to (L), resulting in #8 being switched to (H), and Q801 and Q802 being turned on. A voltage is then applied to the emitter of Q09.
- 6) The turntable motor drive circuit is thus activated, thereby starting up the turntable.
- 7) And once the large gear starts to turn, the mechanical drive is activated, resulting in the automatic lead-in of the tonearm.
- 8) When the large gear then stops turning, negative pulses are generated by IC301 #2 and IC302 #13 at the moment that the GEAR switch (SW4) is turned off. These negative pulses then invert the FF(1) and FF(2) flip-flops.
- 9) Q303 and Q305 are thus turned off, thereby stopping the tonearm drive motor and size selector solenoid.
- 10) Furthermore, IC303 #9 is switched from (L) to (H) at the same time, but since the shutter of the interrupter (D701 and Q701) is opened by the tonearm moving away from the arm rest, Q701 will be turned on.

- 11) And with Q701 turned on, the collector potential will drop, resulting in the output #12 of the Schmitt trigger (IC305d and e) being switched to (H). This (H) status is then maintained irrespective of the status of #8 and #9.
- 12) When the GEAR switch is turned off, IC304 #13 is switched to (L), thereby stopping the blinking oscillator. IC304 #4 is thus kept at (L) with IC304 #6 at (H), and IC305 #4 is switched to (H), resulting on Q305 being turned on.
- 13) Hence, the PLAY LED blinks on and off while the large gear is rotating (i.e. while the mechanical parts are moving), and stays on continually once play mode has commenced.

### 3. Reject Operation

When the REJECT button (SW8) is pressed during play

- 1) If the REJECT button is pressed during play mode, IC302 #5 is switched to (L), resulting in #6 being switched to (H).
- 2) And since IC302 #6 is switched to (H), #8 is switched to (L), resulting in the inversion of FF(1) for Q303 to be turned on.
- 3) With this transistor on, the tonearm drive motor is started up.
- 4) The GEAR switch (SW4) is thereby turned on, resulting in the PLAY LED blinking on and off in the same way as during auto start operation.
- 5) The large gear consequently starts to rotate, but by not switching the size selector solenoid on, the mechanical system commences the reject operation.
- 6) When the large gear next stops, negative pulses are generated by IC302 #13 in the same way as described above under play mode. FF(1) is thus inverted, Q303 turned off, and the tonearm drive motor consequently stopped.
- 7) When the GEAR switch (SW4) is turned off, IC304 #6 is switched to (L).
- 8) As a result, IC305 #4 is switched to (L), and Q305 is turned off.
- 9) The PLAY indicator lamp is turned off by Q305 being turned off.
- 10) With the tonearm then returning to the arm rest, the interrupter shutter is closed, resulting in Q701 being turned off. IC303 #8 is switched to (L) when the GEAR switch (SW4) is turned off.
- 11) With IC303 #8 switched to (L), Q801 and Q802 are both turned off, thereby cutting the voltage applied to the Q09 emitter, resulting in the turntable motor being stopped.
- 12) The turntable will now be in the same status as when the power switch (SW1) was turned on.

**4. Auto Return Operation**

- 1) When the power switch is turned on, the D201 infra-red LED is turned on.
- 2) During the playing of a record the tonearm gradually moves across the record until it comes within the return detector range (57 mm from the center spindle).
- 3) Then when the record groove pitch increases (by entering the lead-out groove) after reaching this detector range, a speed detector is activated, resulting in Q302 being turned on.
- 4) IC302 #6 is then switched to (H), resulting in the tonearm commencing to return to the arm rest in the same way as described above for reject operation.
- 5) Then after completing the same procedure as described for reject operation, the turntable will again be returned to the same status achieved when the power switch was first turned on.

**5. Repeat Operation**

When the REPEAT button (SW7) is pressed

- 1) When the REPEAT button (SW7) is pressed, the repeat FF is inverted, and the repeat indicator LED is turned on.
- 2) When the tonearm reaches the return detector range and the speed detector circuit is activated, Q302 will again be turned on (as was described for auto return operation).
- 3) IC302 #6 is thus switched to (H), resulting in the tonearm drive motor being started up in the same way as described for reject operation.
- 4) IC302 #1 is also switched to (H), but via IC305 C.
- 5) With the repeat indicator lamp turned on at this time, IC302 #3 is switched to (L) to invert flip-flop FF(2).
- 6) Upon inversion of FF(2), Q304 is turned on, and the size selector solenoid is consequently activated, followed by the same operational sequence as described for auto start operation. The turntable is thus restarted in play mode again.
- 7) Thus, by repeating the above procedure, the turntable will be continually restarted in play mode as long as the repeat indicator LED is on.

**6. When the reject button is pressed with the tonearm still on the arm rest.**

- 1) IC302 #6 is switched to (H) in the same way as in reject operation.
- 2) However, since IC302 #9 is (H) status, #8 will also be (H) irrespective of the status of #10. There will, consequently, be no activation of the circuit.

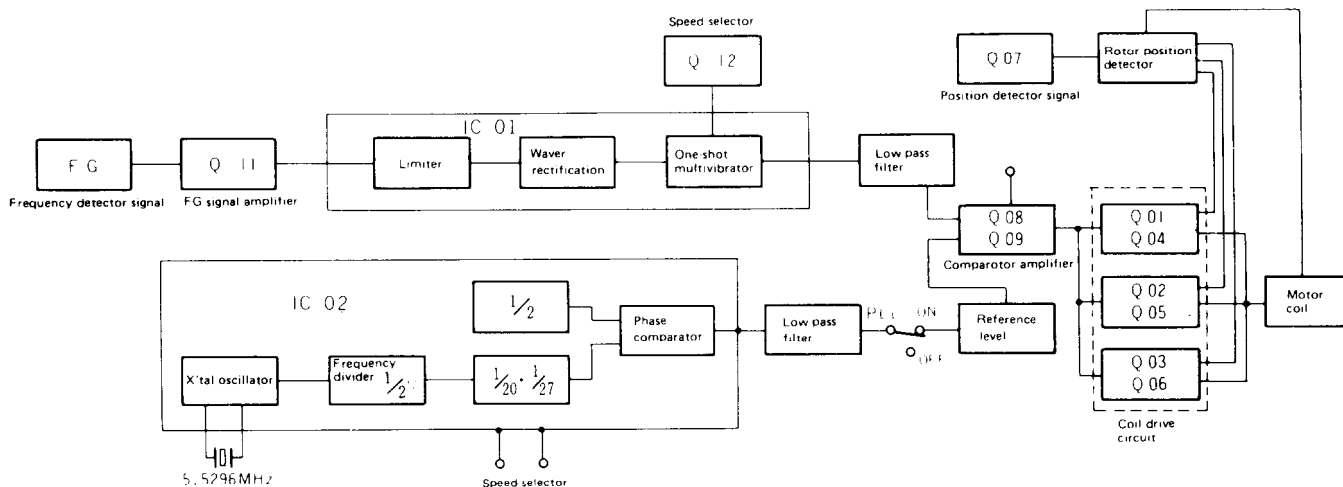
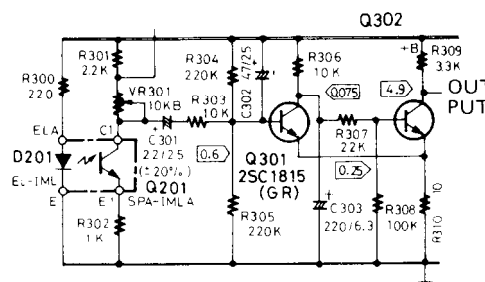
**7. Speed Detector Circuit**

This circuit has been designed to vary the  $i_2$  quantity in response to changes in the Q201 collector voltage ( $V_{c1}$ ).  $i_2$  is given by the following expression.

$$i_2 = \frac{V_{c1}}{dt} \cdot C301$$

Where  $i_2$  is the current passed via R303.  
The current passed via R304 is denoted  $i_1$ .

Due to the movement of the auto return detector shutter (which corresponds to tonearm movement), the amount of light received by Q201 from D201 is gradually increased, resulting in a corresponding drop in collector voltage. Then when the detector shutter movement increases rather sharply,  $i_2$  will approach  $i_1$ , resulting in Q301 finally being turned off. Q302 is thus turned on and the Q302 collector voltage drops, thereby generating the "return signal". Sensitivity may be adjusted by altering the amount of change in  $i_2$  with the same detector shutter speed by using VR301. Furthermore, sensitivity is decreased for 45 rpm record speed by short circuiting the R301 resistor.



## 8. Motor Drive Circuit

When the PLAY button is pressed, IC303, # 8 is switched to (H), Q801 and Q802 turned on, and the Q09 control circuit also turned on. One or two of the coil drive circuits is then turned on by the rotor position detector signal, resulting in a current being passed through the motor coil to start up the magnet rotor. Once this rotor has started to rotate, signals generated according to the rotational frequency (FG signals) are detected by the speed detector coil. These signals are then amplified by Q11 and undergo limiter amplification and wave rectification in IC01 before being applied to the one-shot multivibrator and IC02. The multivibrator output is smoothed out by a 3-stage low-pass filter, producing voltage levels in accordance to the FG IN signal frequency (100Hz at 33rpm and 135Hz at 45rpm). In addition, the FG IN signal is also divided by IC02 and applied to a phase comparator where it is compared with a reference signal generated by the crystal oscillator. By obtaining output pulse widths which vary according to the phase differences, and then smoothing these pulse signals, the voltage obtained will be in proportion to the phase difference.

In the case of LOCK ON, the F/V output and the voltage obtained by mixing the PD output with the reference level voltage, are compared and amplified by Q08 and Q09. The output is then used to control the Q01/Q04, Q02/Q05 and Q03/Q06 coil drive circuits.

In the case of LOCK OFF, speed control involves varying the reference level voltage by VR independently of the PD output, the IC02 frequency division ratio is switched to 1/27 for 33rpm, and 1/20 for 45rpm, this being achieved by switching the one-shot multivibrator time constants by Q12.

## SERVICE PROCEDURES AND ALIGNMENT

### 1. CAUTIONS

#### 1. This model is used CMOS ICs

Motor p.c.b. IC01 MSM4011RS

IC02 MSM5818RS

Control p.c.b. IC304 TC4011BP

IC305 TC4049P

- 1) All CMOS devices should be stored or transported in materials that are somewhat conductive, MOS devices must not be inserted into conventional plastic "snow" or plastic trays.
- 2) All CMOS devices should be placed on a grounded bench surface and operators should ground themselves prior to handling devices, since a worker can be statically charged with respect to the bench surface.
- 3) Nylon clothing should not be worn while handling CMOS circuit.
- 4) When lead straightening or hand soldering is necessary, provide ground straps for the apparatus used.
- 5) Double check test equipment set up for proper polarity of voltage before conducting parametric or functional testing.
- 6) All unused device inputs should be connected to VDD or Vss.
- 7) If it becomes necessary to replace the switch of NASW-777 (Play, Repeat, Reject) for any reason, it is installed at the correct position as shown in fig. 5.

#### 2. Do not rotate the main motor with the unit turned upside down.

If it becomes necessary to invert the unit for check purposes, first connect the DD ON/OFF terminal in the NADG-773 circuit to ground via a 1K $\Omega$  resistor. Turning the main motor while the unit is upside down will damage the shaft bearing and fork, resulting in serious deterioration in the wow and flutter rating.

#### 3. If it becomes necessary to replace the motor drive IC01 (MSM4011RS) for any reason, special attention must be given to the following requirement.

Although this IC (MSM4011RS) is designed for 4-rank utilization and requires timing adjustment when replaced, adequate adjustment may not always be possible. In this case, change the resistance values for R33 and R45.

#### 4. Whenever replacing zener D, interrupter (EL-1ML, SDA-1MLA) MSM5818RS, or MSM4011RS and similar components, always ensure that they are properly adjusted.

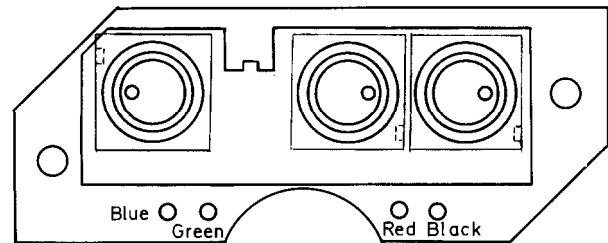


Fig. 5

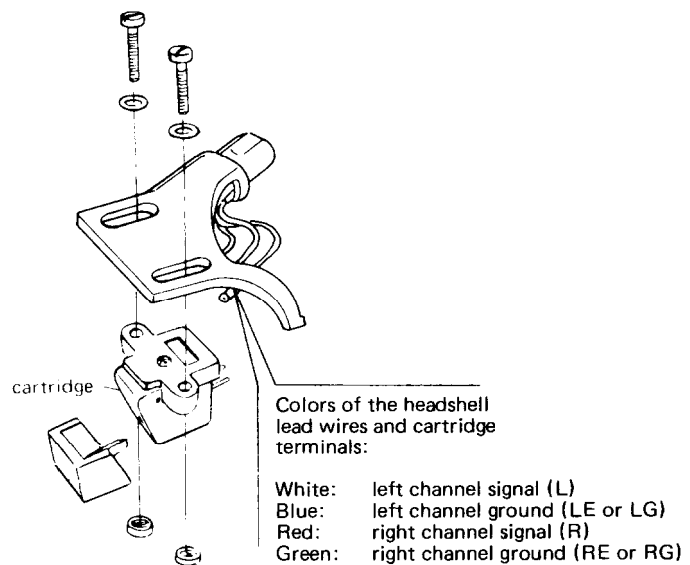


Fig. 6

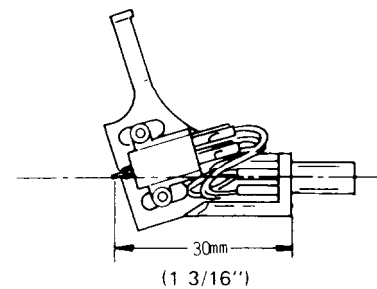
### 5. Attaching the cartridge

Please use the included headshell when attaching the cartridge. The headshell is designed for almost all cartridges on the market today; be careful not to buy a cartridge that is not compatible. In general, cartridges with a mass of 4 – 11 grams should be employed.

Attach the cartridge as shown below, connecting each of the color coded lead wires to the proper terminal. If a mistake is made, no sound will be heard or stereo reproduction will be lost. Also, to prevent damage to the stylus during installation operations, leave its cover on or remove the stylus completely.

Adjust so the distance between the stylus tip and the base of the headshell is 30 mm (1 3/16") and tighten the screw. This assures the effective length and overhang of the tonearm are correct.

Use the include overhang gauge as shown Fig. 9, placing the cartridge in the gauge and setting the location of the stylus tip as indicated.



Adjust so the stylus tip is here.

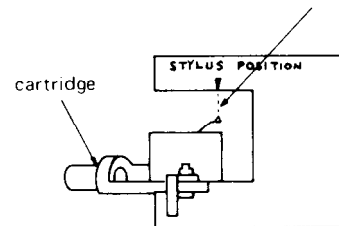


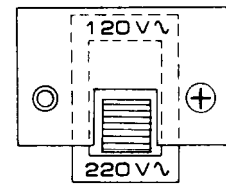
Fig. 7

### 2. Voltage conversion

Before connecting the unit to an AC outlet, check whether it is set for the local AC voltage. The turntable may be set to operate at either 120V or 220V.

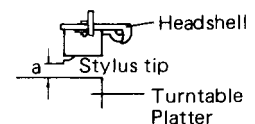
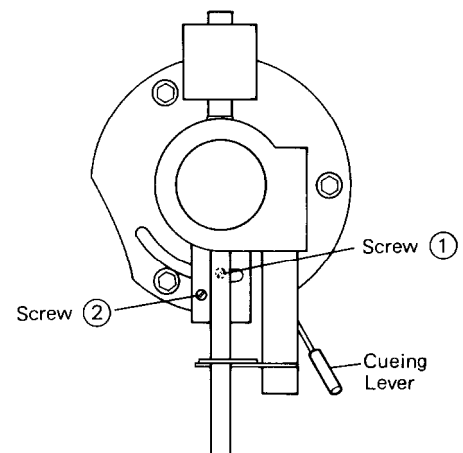
The voltage selector is under the turntable platter. If a voltage change is necessary, remove the lock plate, switch to the proper voltage, and replace the plate. Note that the CP-1280F operates at both 50 and 60Hz power frequencies.

**Notice:** Some units have been designed to operate only on AC240V 50Hz (or 120V 60Hz), and are consequently not equipped with a voltage selector.



### 3. Tonearm height

- 1) Remove the turntable mat and move the cueing lever to the down position.
- 2) Press the record size selector to 17 cm position and the power switch to the on position.
- 3) Press the play button to the on position.
- 4) As soon as the tonearm comes over the turntable platter, press the power switch to the off position.
- 5) Adjust the screw (1) for 11mm height between the stylus tip and the turntable platter.
- 6) Move the cueing lever to the up position.
- 7) Adjust the screw (2) for 12mm height between the stylus tip and the turntable platter.

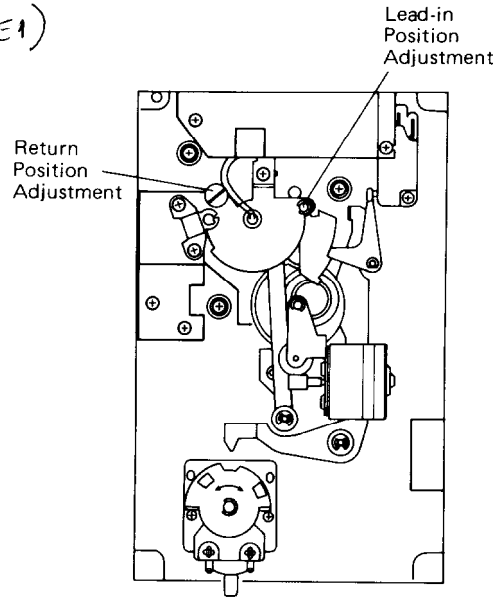


**4. Return position adjustment**

Connect the DC voltmeter between CI input of tonearm control p.c.b. and the ground terminals. *AND SHORTED Q221 (C1 to E1)*  
 Adjust VR301 to 0.85V.  
 Then adjust the return position by the large eccentric pin attached by the tonearm base.

**5. Lead-in position adjustment**

The lead-in position is adjusted by means of the small eccentric pin attached to the base of the tonearm.

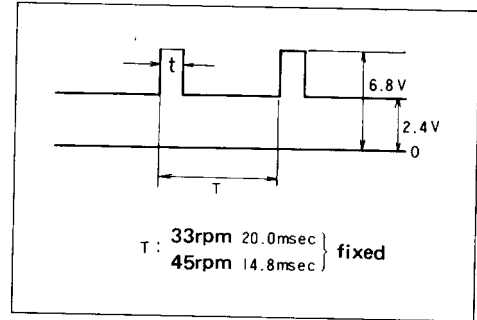


**6. Motor control circuit adjustment**

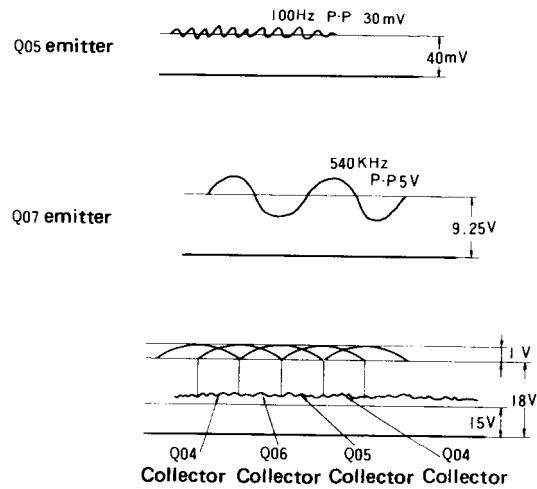
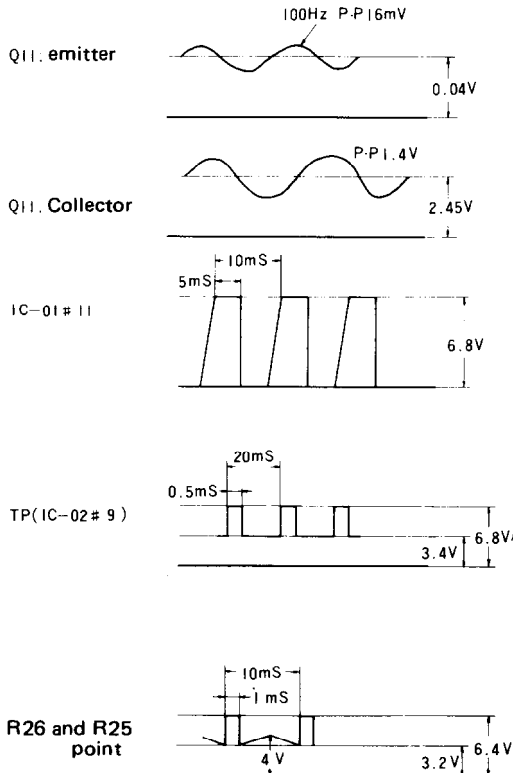
- 1) Connect the oscilloscope between TP terminal (Pin nos. 9 of IC02) and ground terminal.
- 2) Set the speed control button to 33rpm position.
- 3) Adjust the VR33 for  $t = 0.5\text{msec}$ .
- 4) Then the speed button to 45rpm position.
- 5) Adjust the VR45 for  $t = 0.5\text{msec}$ .
- 6) Repeat steps 3 and 5.

**7. Speed adjustment**

- 1) Set the quartz locked switch to off position and the speed control variable resistor to mechanical center.
- 2) Adjust the VR 502 to 33 1/3 rpm speed.

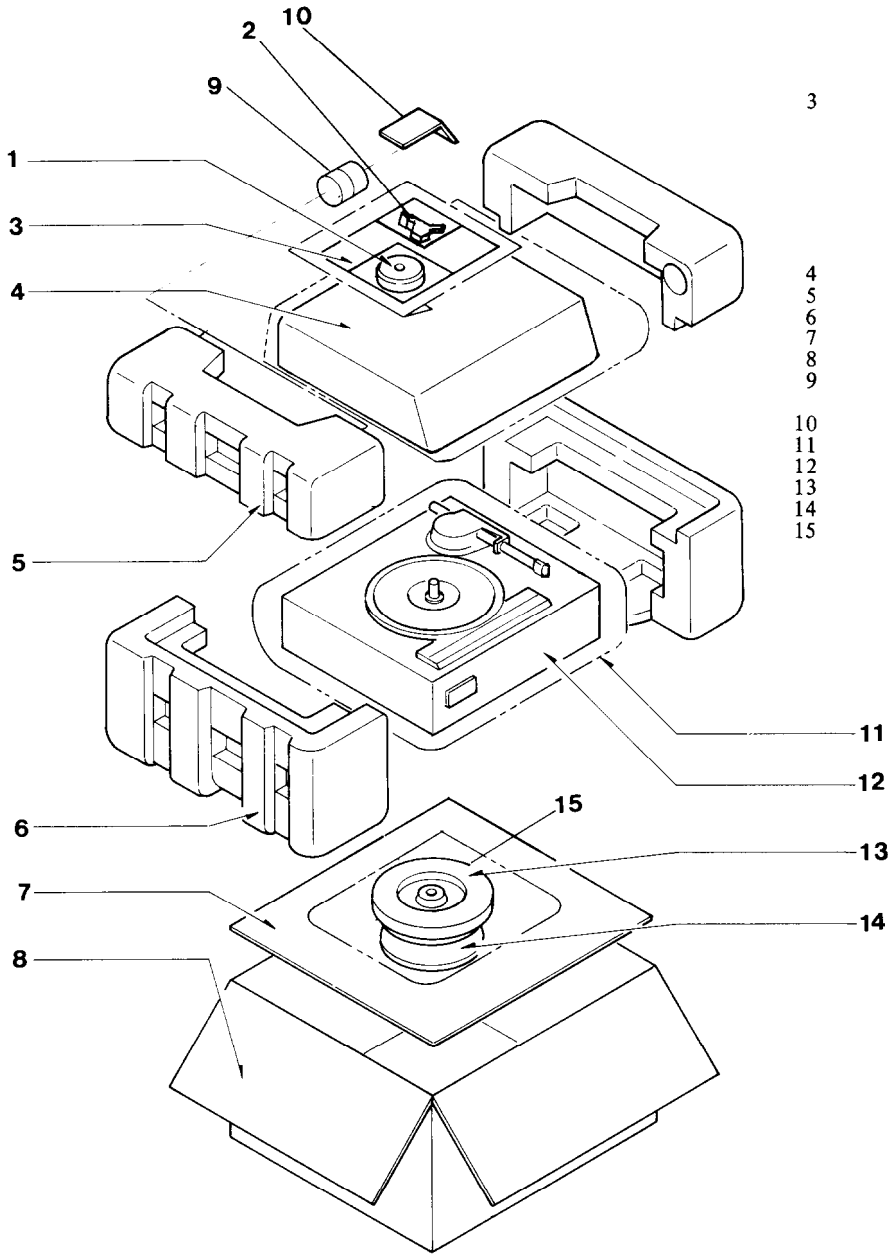


Wave of motor control circuit



Lock : ON  
 Speed : 33rpm

# PACKING PROCEDURES



REF. NO.	PARTS NO.	DESCRIPTION	
1	292049A	45 rpm adaptor	
2	29100002	80 x 150mm, Poly bag	
	24501262	Headshell	
	24501292	Screw for headshell	
	24501293	Nut for headshell	
	24501301	Spacer	
3	24500079	Washer for headshell	
	29100002	80 x 150mm, Poly bag	
	29340422	Instruction manual (D)	
	29340423	Instruction manual (G, W/Q)	
	24509197	Overhang gauge	
	25055018	Conversion plug (W/G)	
	29358002	Service station list (D)	
4	29365006	Warranty card (D)	
	29365005-1	Warranty card (G)	
	29100005	Poly bag	
	29100047	Protection sheet	
	5	29090490	Pad (U)
	6	29090491	Pad (D)
	7	29090492	Pad sheet
	8	29050363	Master carton box
	9	24501303	Counter weight
	10	29100002	80 x 150mm, Poly bag
11	29095124	Pad sheet	
12	29100033A	750 x 650mm, Poly bag	
13	29095108-1	600 x 1,000mm, Protection sheet	
14	24502096	Turntable platter	
15	24509183	T.T. mat	
	29100046	370 x 470mm, Poly bag	

D: Only 120V model  
 G: Only Germany model  
 W: 120/220V model  
 Q: Only England model





## PARTS LIST

REF. NO.	PARTS NO.	DESCRIPTION	REF. NO.	PARTS NO.	DESCRIPTION
1	24504301	Operation plate	52-1	24506348	Phototransistor bracket
2	16863539	NADIS-839, Play, repeat/lock indicator p.c.b.	52-2	16861579	NASW-779, Switch p.c.b.
3	16863538	NADIS-838, Speed and record size indicator p.c.b.	52-3	226003	Interruptor
4	28320379	Knob (L)	52-4	27225053	Shielded case
5	27180052	Spring	53	82112606	2.6P+6F, Pan head screw
6	27140325A	Bracket, power	54	82112615	2.6P+15F, Pan head screw
7	25035191	NPS-111-L155P, Power switch (D)	55		Tonearm base ass'y
	25035176	NPS-111-L140, Power switch (W)	55-1	24506390	Tonearm base
8	82113006	3P+6FN, Pan head screw	55-2	24506344A	Eccentric pin (1)
9	838130062	BT+3x6, Tapping screw	55-3	24506142	Circlip
10	28320380	Knob (S)	55-4	24503094	Spring, tonearm
11	25035187	Speed/size selector switch	55-5	24506389	Eccentric pin (3)
12	16779540A	NASW-840a, Switch circuit p.c.b.	55-6	24506346	Slit, tonearm
13	28199033	Film	56	82113006	3P+6FN, Pan head screw
14	28140244	Cushion (PL)	57	834130062	3STS+6BQ, Tapping screw
15	834130102	3STS+10BQ, Tapping screw	58-1	24506394	Reject stand
16	28140264	Cushion (M)	58-2	24506335	Sensor holder
17	863130	N-3F-N, Nut	58-3	225042	EL-1ML, L.E.D.
18	29360365	Rating label (D)	58-4	226002	SPA-1MLA (1), Phototransistor
	29360366	Rating label (W)	59	24505124	Output cord
19	28320435	Knob, pitch control	60	27270049	Spacer
20	28140236	Cushion (L)	61	85143116	M3.1x16F, Wood screw
21	28140237	Cushion (S)	62	16779574A	NAPS-774a, Power supply p.c.b. (D)
22	25035089	Play/reject switch		16800574B	NAPS-777b, Power supply p.c.b. (W)
23	16861577	NASW-777, Switch p.c.b.	63	27140328	Bracket
24	24504295-1	L.E.D. cover (L)	64	801197	8W3P+20F (BC)
25	24504296-1	L.E.D. cover (R)	65	16779576	NASC-876, Control p.c.b.
26	28110179	Cabinet ass'y	66	270520	Cushion
27	27140390	Bracket, pitch control	67	230376	NPT-702D, Power transformer (D)
28	831430122	3STS+12BQ, Tapping screw		230377	NPT-702DG, Power transformer (W)
29	24504291-1	Turntable base	68	86213010	WN3x10FN, Nut
30	87644010	W4x10F, Washer	69	16779573D	NADG-773d, Control p.c.b. (D)
31	833140162	4STP+16BQ, Tapping screw		16800573E	NADG-773e, Control p.c.b. (W)
32	24502098	Direct drive motor with motor control p.c.b.	70	16779575	NASW-875, Switch p.c.b.
33	835130124	3STF+12A, Tapping screw	71	251073	LAGB6, Terminal
34	833130164	3STP+16A, Tapping screw	72	253099A	AS-UC-3, Power supply cord (D)
35	24506334-1	Mechanism chassis ass'y		253083	AS-CEE, Power supply cord (W)
36	24503082	Selector spring	73	270025	SR-3K-4, Strainrelief (D)
37	24506256	Selector ass'y		270280	SR-4K-4, Strainrelief (W)
38	893032	E-3.2, Circlip	74	27140385	Bracket, power supply
39	24503081	Main gear (2)	75	24501300	Tonearm ass'y
40	24503080	Main gear (1)	76	24501262	Headshell
41	24503083	Gear (1)	77	223004-1	LAGB5-1, Terminal
42-1	24503084	Gear (2)	78	84345020	5HBx20FN(BC), Hexagone bolt
42-2	24502084	Tonearm motor with gear	79	27170075	Bottom board
42-3	24506258	Bracket, gear	80	24509208	Leg
42-4	24610125	Rubber stand	81	82114015	4P+15FN, Screw
42-5	24610124	Collar, motor	82	87614008	W4x8F, Washer
42-6	801212	FM+2.6x6, Pan head screw	83	85113116	M3.1x16FN, Wood screw
43	82113006	FMT+3x6, Tapping screw	84	831130122	3STW+12BQ, Tapping screw
44	24506337	Rotation plate	85	24506136	Plate
45	24506288	FW5x13x1, Fiber washer	86	85143113	M3.1+13F(BC), Wood screw
46	24502079	Friction rubber	87	24509203	Dust cover ass'y
47	893040	E-4, Circlip	87-2	24509184	Rubber
48	24506260	Switch arm	87-3	28180060	Hinge
49	893020	E-2, Circlip	87-4	28180061	Plate, hinge
50-1	24506261	Sub-chassis	87-5	82544010	4B+10FN(BC), Screw
50-2	24506289	Magent ass'y (1)	88	24502096	Turntable platter
50-3	24506262	Selector cam	89	24509183	T.T. mat
50-4	82112606	FM+2.6x6, Pan head screw	90	87613010	W3x10, Washer
50-5	24506338	W3.1x6x0.1, Poly slider washer	91	28135064	Badge
50-6	24502081	Spool ass'y	92	870069	W5x10x1, Washer
50-7	82112604	FM+2.6x4, Pan head screw	W1	82113006	3P+6FN, Pan head screw
50-8	24506309	Damper	W2	25065106	NSS-2253P, Voltage selector
50-9	24506339	Magnet, position detector	W3	270444	Fixture plate
50-10	335624730	0.047 $\mu$ F, 50V, Ceramic capacitor			
51	24503040	NMS-1203, Microswitch			



**PRINTED CIRCUIT BOARD-PARTS LIST****CONTROL CIRCUIT PC BOARD****(NADG-773)-PARTS LIST**

CIRCUIT NO.	PARTS NO.	DESCRIPTION
	<b>ICs</b>	
IC301	222439 or 222481	SN7410N or HD7410
IC302, IC303	222425 or 222478	SN7400N or HD7400
IC304	222528 or 222513	$\mu$ PD4011C or TC4011BP
IC305	222475	TC4049P
	<b>Transistors</b>	
Q301, Q302	2211255	2SC1815(GR)
Q303, Q304	2211705 or 2211706	2SD655(E) or 2SD655(F)
Q305	2211255	2SC1815(GR)
Q901, Q902	2201074	2SD880(Y)
	<b>Diodes</b>	
ZD901	224092	RD20E(B)
ZD902	223947	RD5.6E(B)
D301	223839 or 223848	1N4002 or GP08B
D302, D304	223105	1S1555
D901	223862	WL01
	<b>Resistor</b>	
VR301	5225015	N10HR10KBD, Semi-fixed
	<b>Capacitors</b>	
C301, C303	352744701	47 $\mu$ F, 16V, Elect.
C302	352754701	47 $\mu$ F, 25V, Elect.
C320	352950226	2.2 $\mu$ F, 25V, Non-polar elect.
C901	352754711	470 $\mu$ F, 25V, Elect.
C902	352761021	1,000 $\mu$ F, 35V, Elect.
C903	352764701	47 $\mu$ F, 35V, Elect.
C904	352762201	22 $\mu$ F, 35V, Elect.
C905, C906	352754701	47 $\mu$ F, 25V, Elect.
	<b>Fuseholder</b>	
	250113	120V model
	25050052	W/Q model
	<b>Fuse</b>	
F901	252045	1A-ST-6, 120V model
	252070	1A-SE-EAK, W/Q model
	<b>Radiator</b>	
	27160029	

**POWER SUPPLY PC BOARD****(NAPS-774)-PARTS LIST**

CIRCUIT NO.	PARTS NO.	DESCRIPTION
C900	3500057	125V, 103M, CS capacitor, 120V model
C900	3500058	PME265MB510, IS capacitor, W/Q model

**SWITCH PC BOARD (NASW-777)-PARTS LIST**

CIRCUIT NO.	PARTS NO.	DESCRIPTION
S501	25035089	NPS-111-S54, Play/reject/repeat push switch

**SWITCH PC BOARD (NASW-779)-PARTS LIST**

Q701	226004	ON1122, Interruptor
------	--------	---------------------

**DISPLAY PC BOARD (NADIS-838)-PARTS LIST**

D801, D803	225029	GL9PR9, L.E.D
D802, D804	225028	GL9PG59, L.E.D

**DISPLAY PC BOARD (NADIS-839)-PARTS LIST**

D601, D602	225029	GL9PR9
D603	225028	GL9PG59

**SWITCH CIRCUIT PC BOARD (NASW-840a)-PARTS LIST**

Q401, Q402	2211255	2SC1815(GR), Transistor
Q403	2210803, 2211453 or 2211454	2SA733(P), 2SA1015(O) or Transistor 2SA1015(Y)
D401	223848 or 223839	GP08B or 1N4002
P402	25035187	NPS-122-142-L151, Push switch

**CONTROL PC BOARD (NASC-876)-PARTS LIST**

VR501	5146022	N16RL2KB25, Variable resistor
-------	---------	-------------------------------

**MOTOR CONTROL PC BOARD-PARTS LIST**

CIRCUIT NO.	PARTS NO.	DESCRIPTION
	<b>ICs</b>	
IC01		MSM-4011RS
IC02	222590	MSM-5818RS
	<b>Transistors</b>	
Q01~Q03	2210803 or 2211453	2SA733(P) or 2SA1015(O)
Q04~Q06	2211612 or 2211611	2SD471(L) or 2SD471(K)
Q07, Q08	2210743	2SC945(P)
Q11, Q12	2210744 or 2211140	2SC945(Q) or 2SA798
Q09	2211140	2SA798
	<b>Diode</b>	
ZD0	223961	RD6.8E-B2
	<b>X'tal</b>	
	3010047	5.5296MHz
	<b>Semi-fixed resistor</b>	
VR45	5225037	N10HR220KBD
VR33	5225078	N10HR47KBD

**SWITCH PC BOARD (NASW-875)-PARTS LIST**

SW601	25035180	NPS-144-L144, Switch
-------	----------	----------------------

## PARTS LIST

## 120V model

REF. NO.	PARTS NO.	DESCRIPTION
69	16779573D	NADG-773d, Control pc board ass'y
62	16779574A	NAPS-774a, Power supply pc board ass'y
23	16861577	NASW-777, Switch pc board ass'y
52-2	16861579	NASW-779, Switch pc board ass'y
3	16863538	NADIS-838, Display pc board ass'y
2	16863539	NADIS-839, Display pc board ass'y
12	16779540A	NASW-840a, Switch pc board ass'y
70	16779575	NASW-875, Switch pc board ass'y
67	230376	NPT-702D, Power transformer
D201	225042	EL-1ML, L.E.D. for return detector
Q201	226002	SPA-1MLA(1), Phototransistor
	225029	GL9PR9, L.E.D. for indicator, Red
	225028	GL9PG59, L.E.D. for indicator, Green
SW101	25035191	NPS-111-L155P, Power switch
SW102	24503040 or 250185	NMS-1203 or NMS-1125N, Microswitch
72	253099A	AS-UC-3, Power supply cord
59	24505124	Connection cord
42-2	24502084	Tonearm drive motor with gear
32	24502098	Motor with control pc board
75	24501300	Tonearm ass'y
	24501247	Screw for headshell
	24501262	Headshell
	24501303	Counter weight ass'y
	24501301	Headshell spacer
	24501292	Screw for cartridge
	24501293	Nut for cartridge
	24500079	Washer for headshell
	24502096	Turntable platter
	24509183	Rubber sheet
26	28110179	Cabinet ass'y
	28135064	Badge
	24509210	Headshell stand
87	24509203	Dust cover ass'y
	24509182	Dust cover
	24509184	Cushion for dust cover
	28180061	Plate
	82544010	4B+10FN (BC), Screw for hinge
	28180060	Hinge
79	27170075	Bottom board
80	24509208	Leg
1	24504301	Operation plate
25	24504296-1	L.E.D. cover (R)
24	24504295-1	L.E.D. cover (L)
29	24504291-1	T.T base
4	28320379	Knob (L)
10	28320380	Knob (S)
19	28320435	Knob (PIT)
5	27180052	Spring (H)
58	24509202B	Sensor ass'y
40	24503080	Main gear (1)
39	24503081	Main gear (2)
42-3	24506258	Gear
41	24503083	Gear (1)
42-1	24503084	Gear (2)
37	24506256	Selector ass'y
36	24503082	Spring for selector
46	24502079	Friction rubber
50	24502080A	Solenoid ass'y
50-6	24502081	Spool ass'y

## W/Q model

REF. NO.	PARTS NO.	DESCRIPTION
69	16780573E	NADG-773e, Control pc board ass'y
62	16800574B	NAPS-774b, Power supply pc board ass'y
23	16861577	NASW-777, Switch pc board ass'y
52-2	16861579	NASW-779, Switch pc board ass'y
3	16863538	NADIS-838, Display pc board ass'y
2	16863539	NADIS-839, Display pc board ass'y
12	16779540A	NASW-840a, Switch pc board ass'y
70	16779575	NASW-875, Switch pc board ass'y
67	230377	NPT-702DG, Power transformer
D201	225042	EL-1ML, L.E.D. for return detector
Q201	226002	SPA-1MLA(1), Phototransistor
	225029	GL9PR9, L.E.D. for indicator, Red
	225028	GL9PG59, L.E.D. for indicator, Green
SW101	25035176	NPS-111-L140P, Power switch
SW102	24503040 or 250185	NMS-1203 or NMS-1125N, Microswitch
SW103	25065106	NSS-2253P, Voltage selector
72	253083	AS-CEE, Power supply cord
59	24505124	Connection cord
42-2	24502084	Tonearm drive motor with gear
32	24502098	Motor with control pc board
75	24501300	Tonearm ass'y
	24501247	Screw for headshell
	24501262	Headshell
	24501303	Counter weight ass'y
	24501301	Headshell spacer
	24501292	Screw for cartridge
	24501293	Nut for cartridge
	24500079	Washer for headshell
	24502096	Turntable platter
	24509183	Rubber sheet
26	28110179	Cabinet ass'y
	28135064	Badge
	24509210	Headshell stand
87	24509203	Dust cover ass'y
	24509182	Dust cover
	24509184	Cushion for dust cover
	28180061	Plate
	82544010	4B+10FN (BC), Screw for hinge
	28180060	Hinge
79	27170075	Bottom board
80	24509208	Leg
1	24504301	Operation plate
25	24504296-1	L.E.D. cover (R)
24	24504295-1	L.E.D. cover (L)
29	24504291-1	T.T base
4	28320379	Knob (L)
10	28320380	Knob (S)
19	28320435	Knob (PIT)
5	27180052	Spring (H)
58	24509202B	Sensor ass'y
40	24503080	Main gear (1)
39	24503081	Main gear (2)
42-3	24506258	Gear
41	24503083	Gear (1)
42-1	24503084	Gear (2)
37	24506256	Selector ass'y
36	24503082	Spring for selector
46	24502079	Friction rubber
50	24502080A	Solenoid ass'y
50-6	24502081	Spool ass'y